

CHASSIS PALLET CART



BLISS

INDUSTRIES, INC.

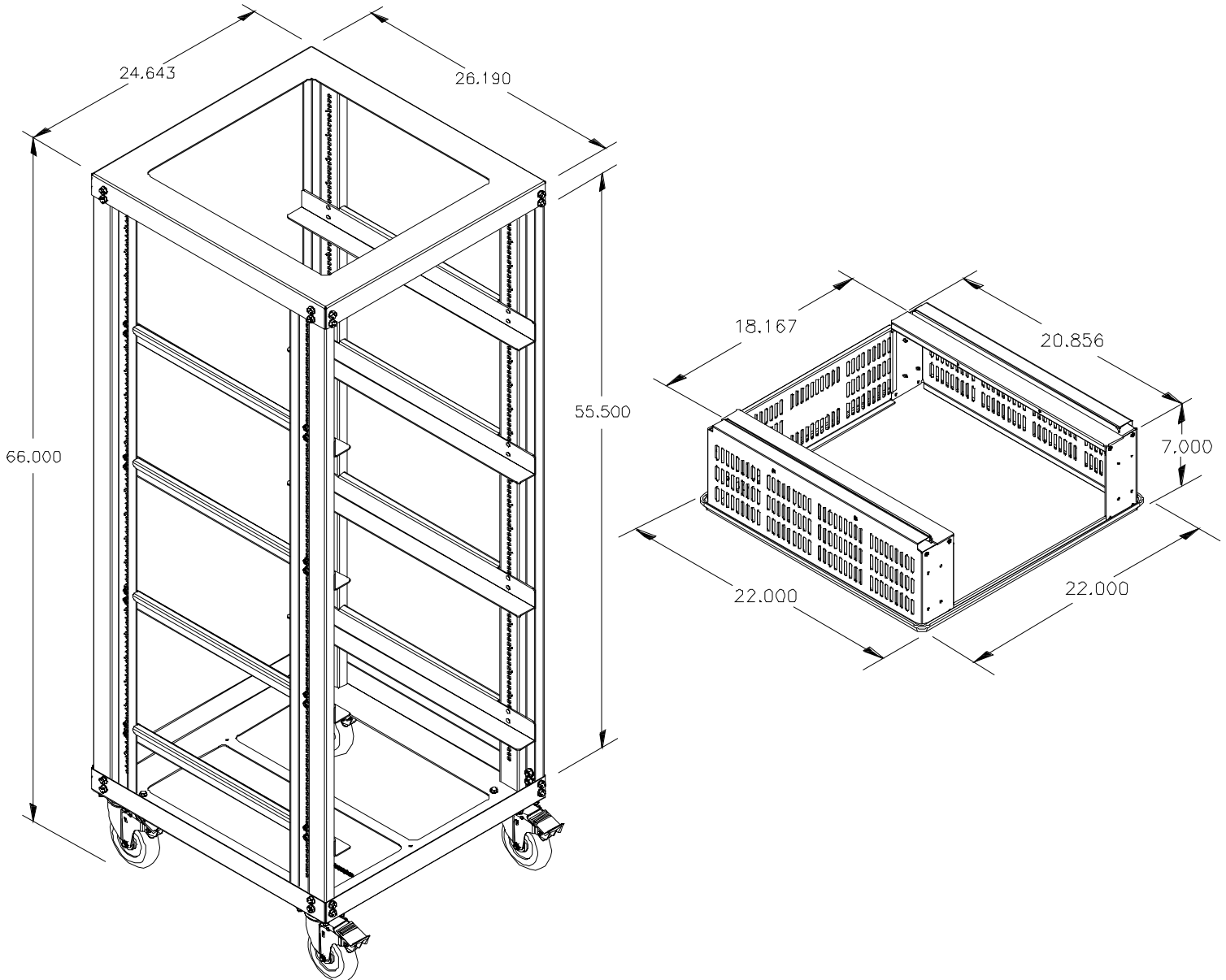
408-945-8401

www.blissindustries.com

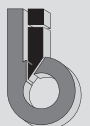
CHASSIS PALLET CART

FEATURES

- Designed specifically to support the chassis assembly pallet
- Industry standard method for storing and handling of 19" rackmount chassis. Perfect for box build, final assembly, R&D, Burn-in, test, QA
- Protects and simplifies handling of chassis
- Eliminates physical and cosmetic damage to high value products
- Ideal for use with the BlissLift™. Protect employees from injury and enhance productivity
- Tough steel construction with zinc plated finish
- Easy-to-roll casters eliminate harmonic vibration
- ESD Safe



A Step Towards Lean Manufacturing
Complete details and catalog online



BLISS
INDUSTRIES, INC.

386 Railroad Ct.
Milpitas, CA 95035

Phone: 408-945-8401 • Fax: 408-945-1914

sales@blissindustries.com • www.blissindustries.com

The Bliss ESD Safe Chassis Pallet Cart supports the chassis assembly pallet.

The Bliss Chassis Pallet Cart is the industry standard method for the kitting and handling of 19" rackmount chassis during the assembly process. The Bliss Chassis Pallet Cart is fully adjustable and works with most Chassis Lift Systems and is designed to interface with the BlissLift.