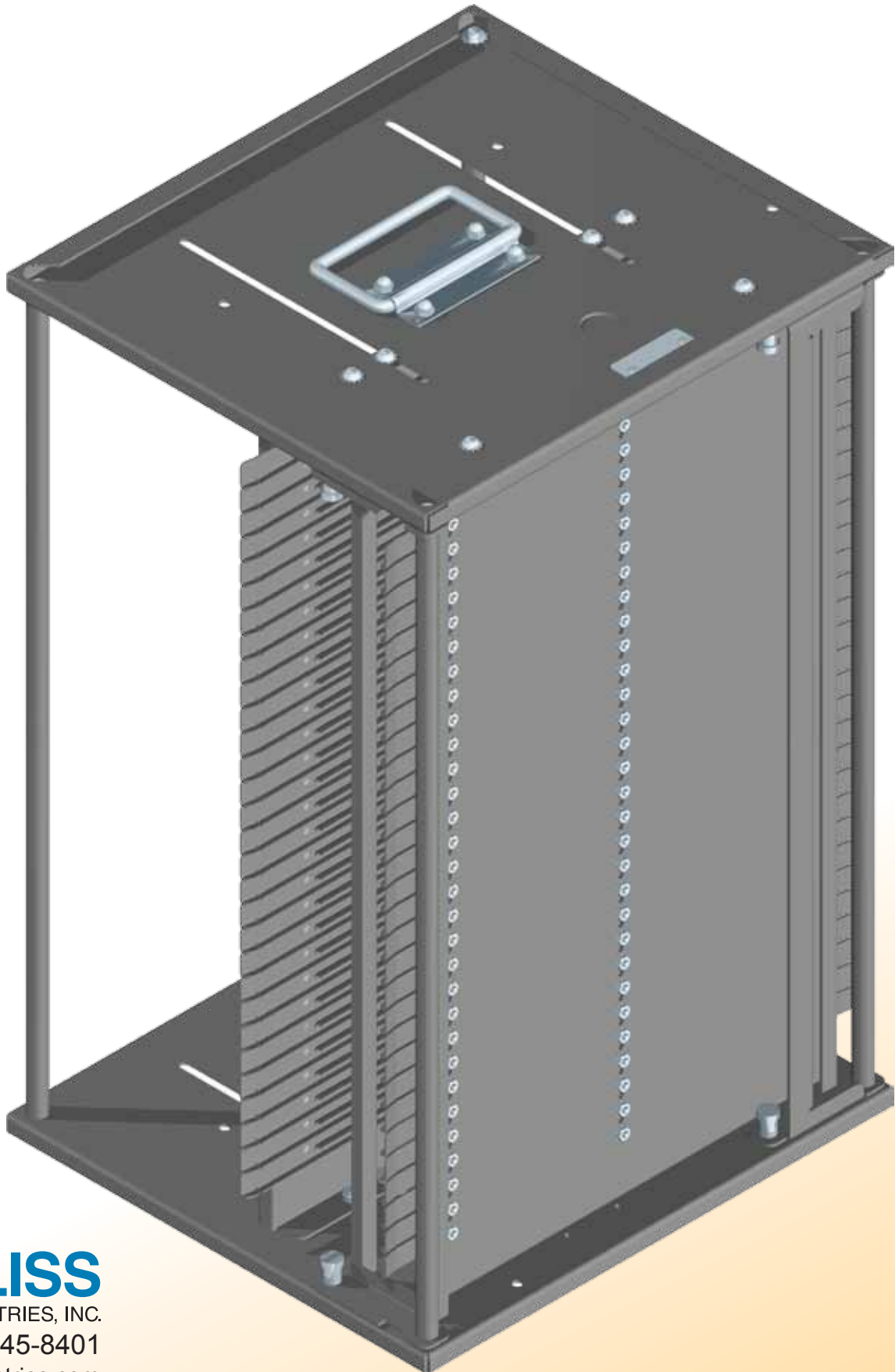


CUSTOM, ALUMINUM PC BOARD MAGAZINES

SMART HANDLING SOLUTIONS



BLISS

INDUSTRIES, INC.

408-945-8401

www.blissindustries.com

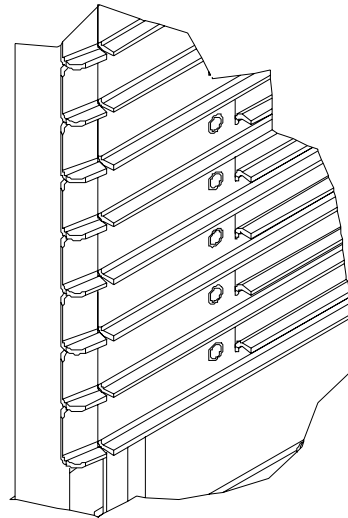
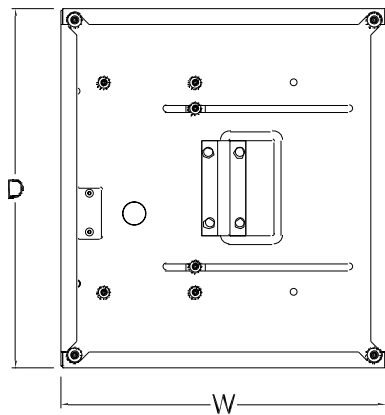
CUSTOM, ALUMINUM PC BOARD MAGAZINES

FEATURES

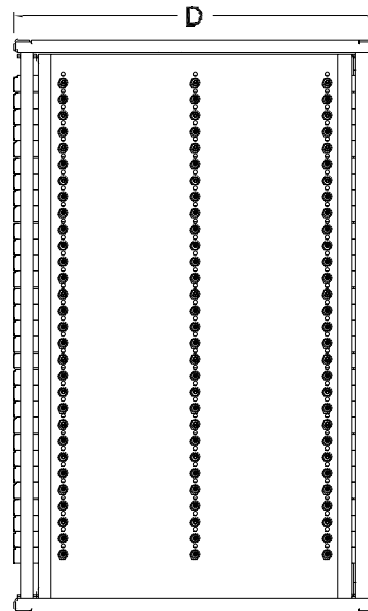
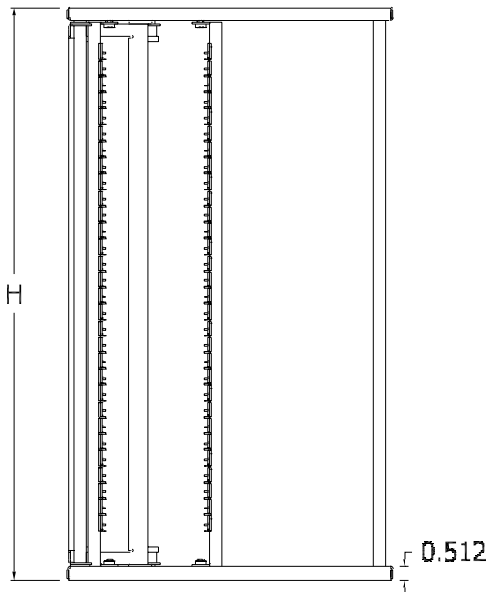
- Aluminum construction, light weight
- Custom built to meet your unique needs
- Fully adjustable
- Customizable rails
- Grab handle on top, very easy to carry

- Will handle virtually any temperature
- Very lightweight and very sturdy.

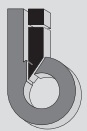
Custom sizes and features available
See all the options and accessories online
www.blissindustries.com



RAIL DETAIL



A Step Towards Lean Manufacturing
Complete details and catalog online



BLISS
INDUSTRIES, INC.

386 Railroad Ct.
Milpitas, CA 95035

Phone: 408-945-8401 • Fax: 408-945-1914
sales@blissindustries.com • www.blissindustries.com

This product is designed to be custom built to meet your exact needs and in a few weeks leadtime. The Bliss Aluminum Magazine offers all aluminum construction along with steel zinc plated hardware. Ideal for high temperature applications as it contains no plastic or materials that soften or melt. It will handle any test or burn-in temperatures. Compatible with most automatic magazine Loaders and Unloaders. Custom; height, footprint, rail spacing, rail shape.